

Installation instructions for PZ4AL-02287-00, PZ4AL-02288-00
Under Run Protective Shield Transmission case

LEXUS GS



Model Year:

GS 450h - 2012

Vehicle Code:

GWL10L-BEXQBW

Part Number:

Steel: PZ4AL-02287-00
Aluminium: PZ4AL-02288-00



Weight:

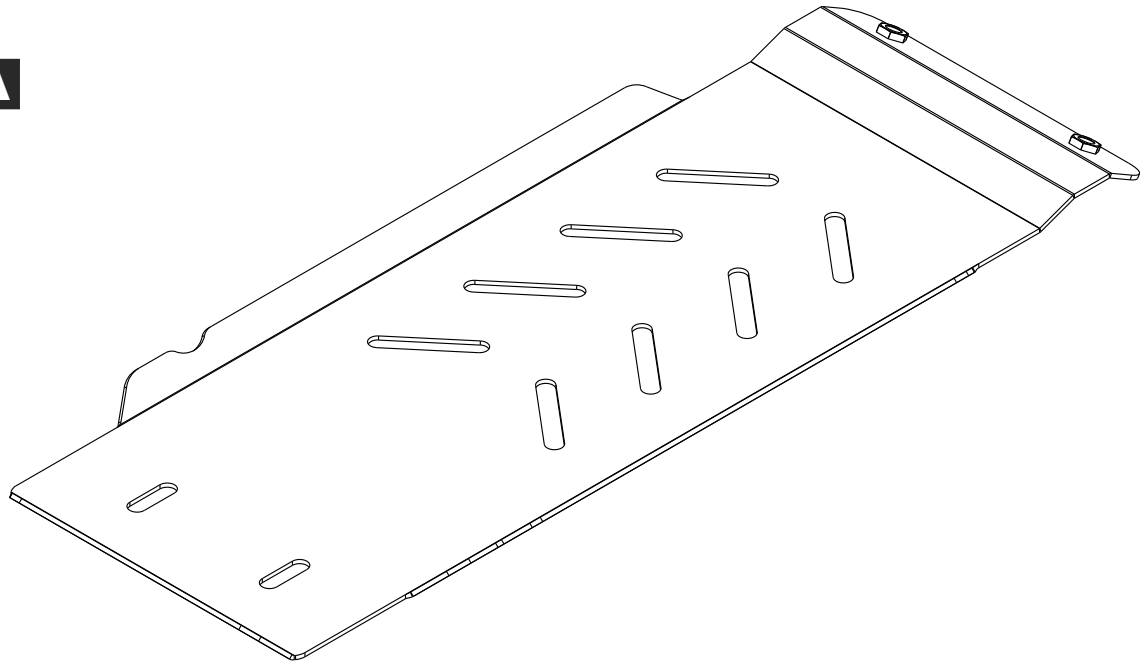
Steel: 5,2 kg
Aluminium: 3,4 kg



Installation Time:

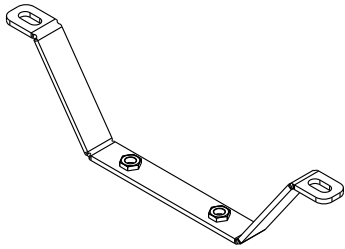
15 min

A



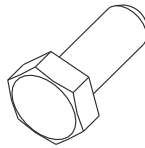
PZ4AL-02287-60

B



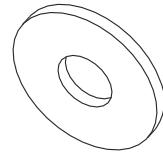
1X

C



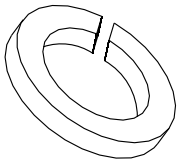
4x M10x25

D

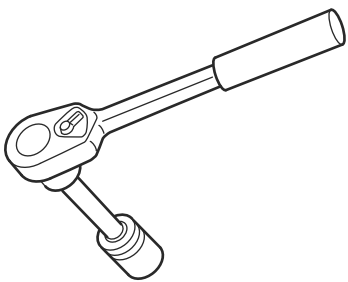


4x Ø 10

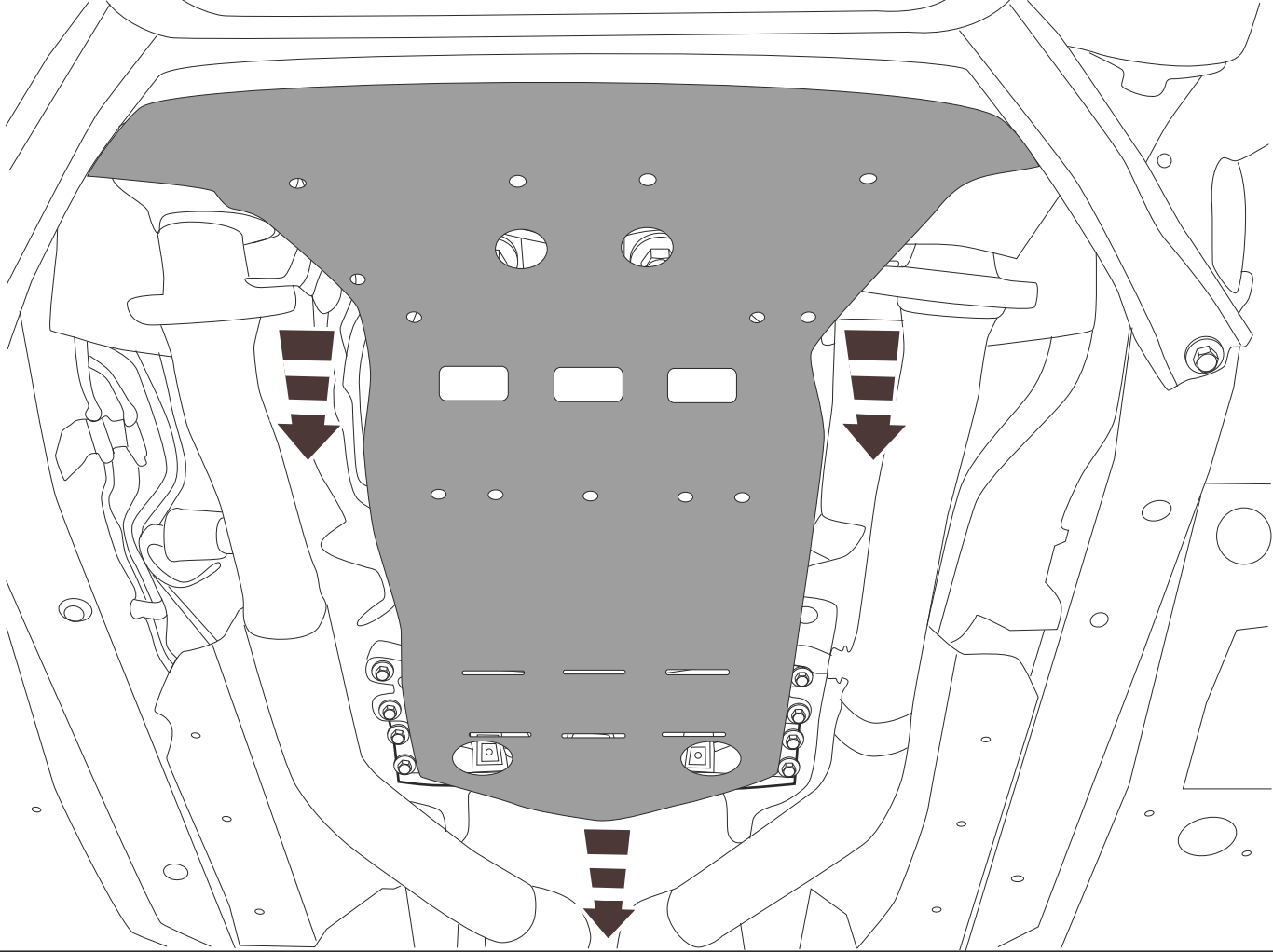
E



4x Ø10G

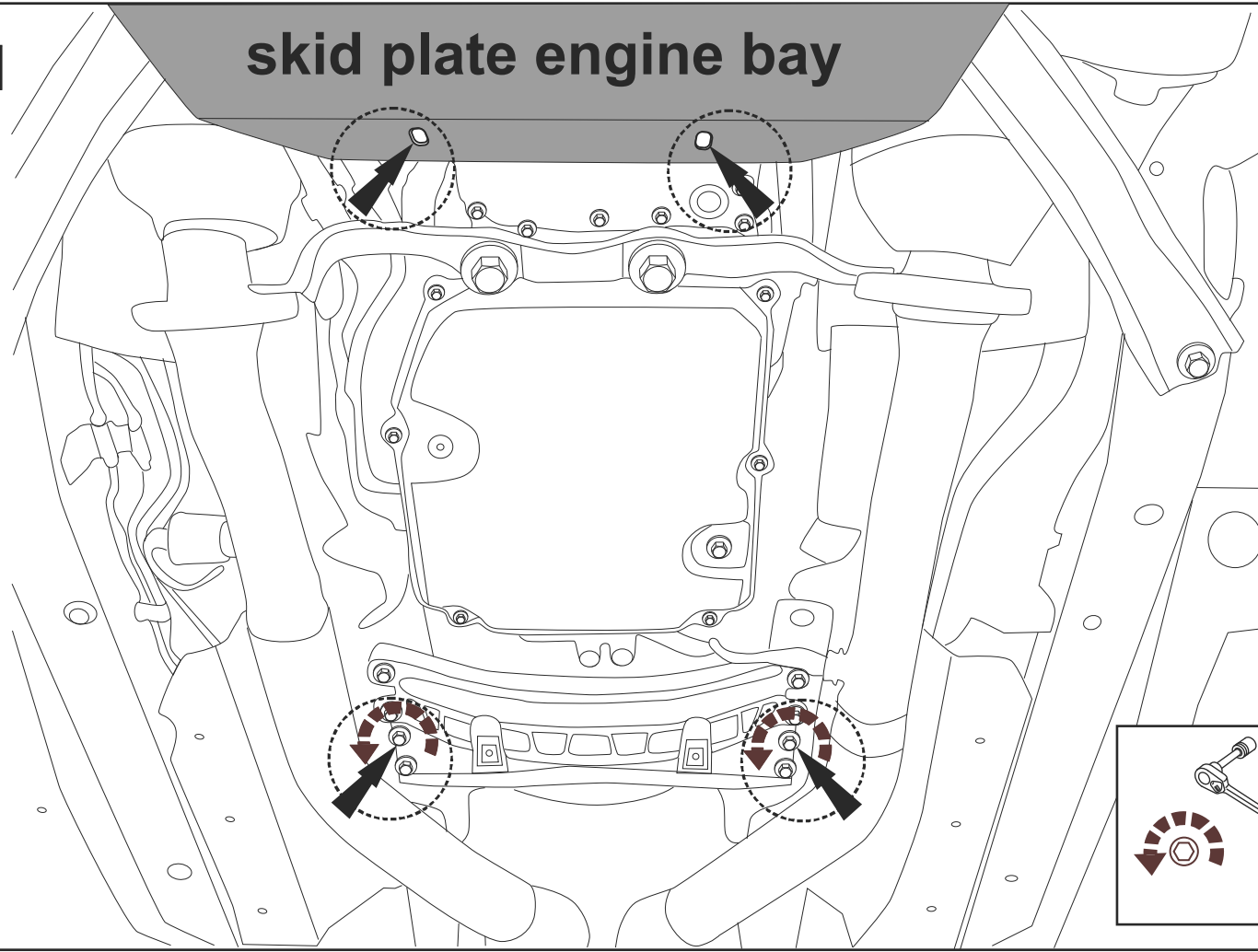


1



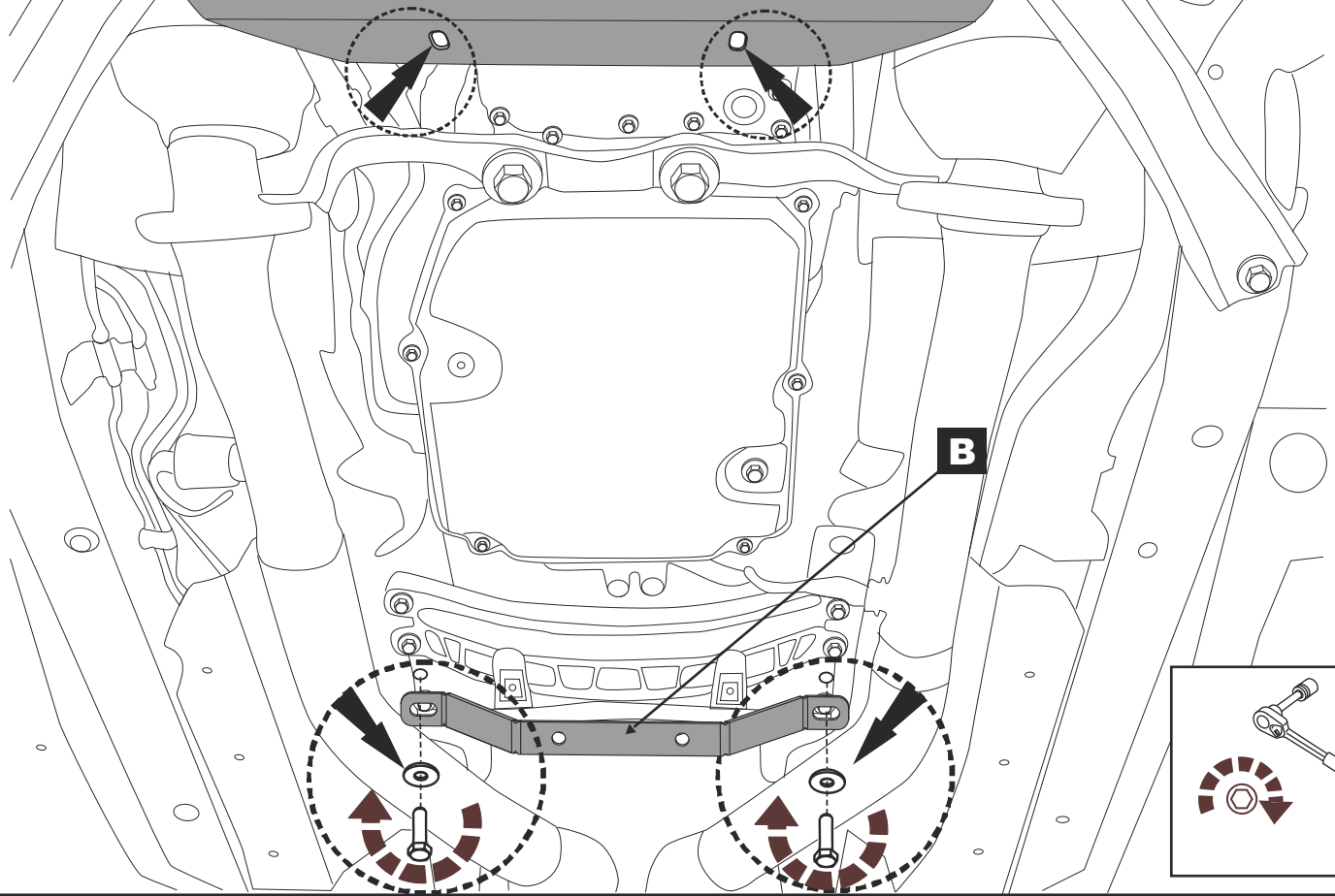
2

skid plate engine bay



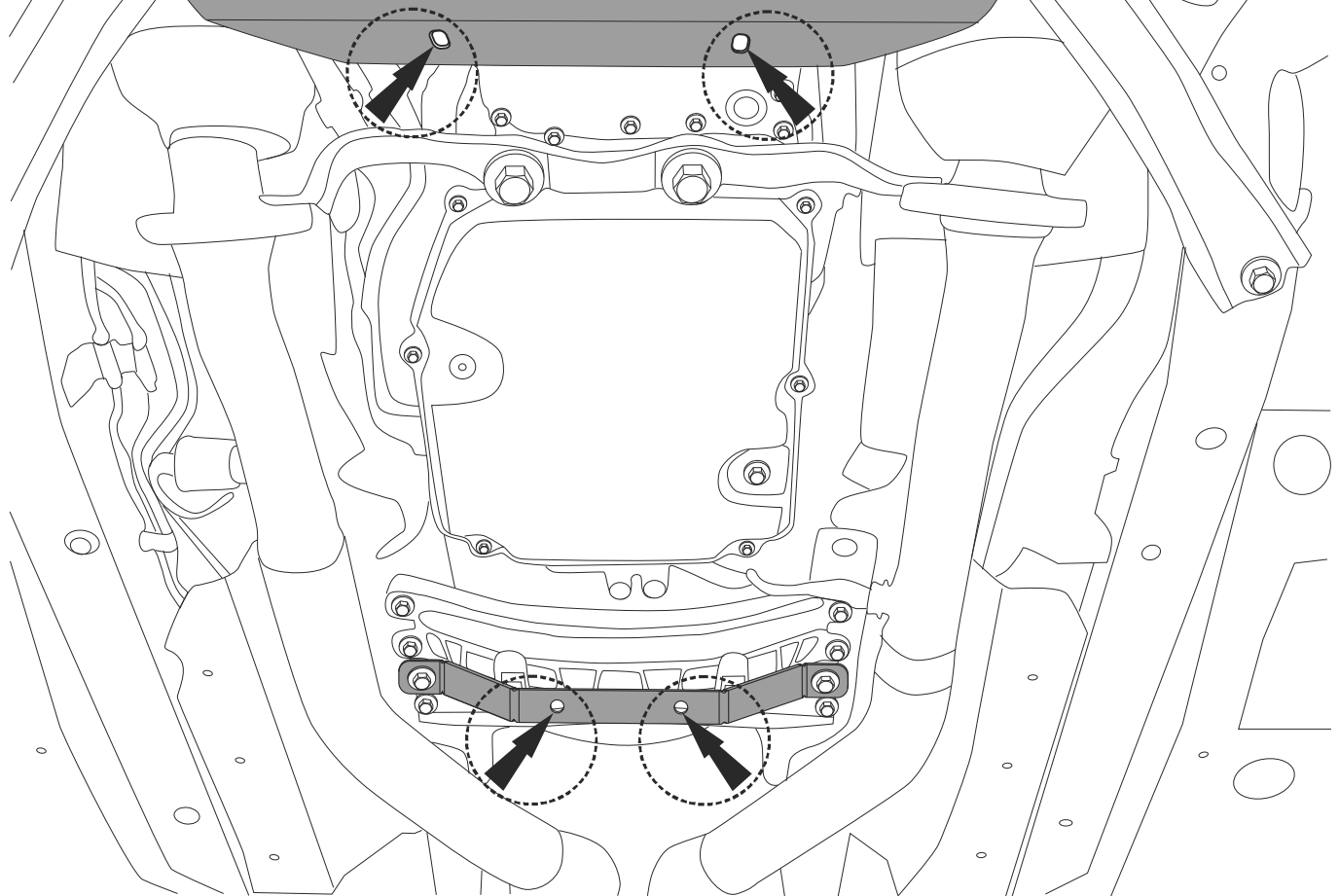
3

skid plate engine bay



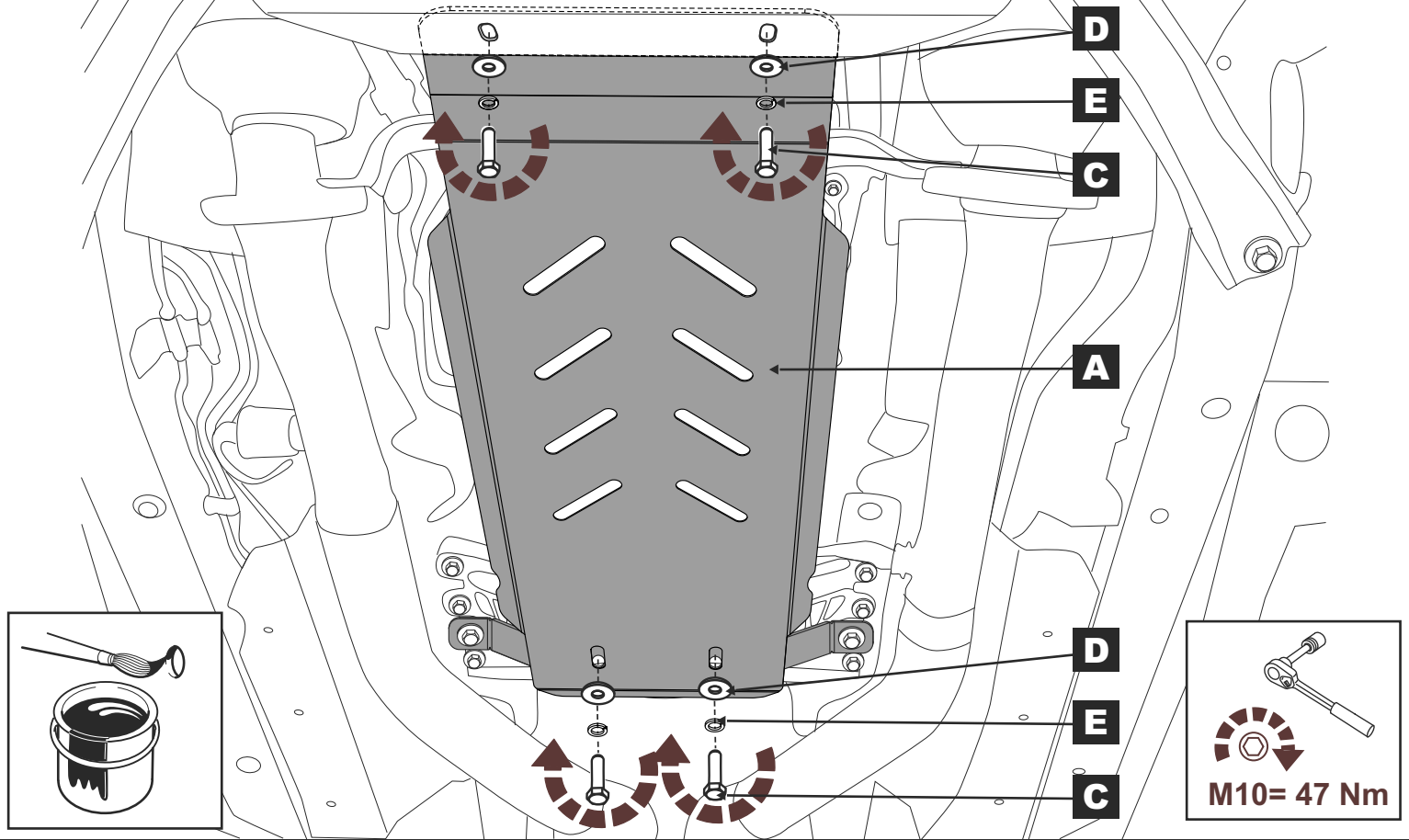
4

skid plate engine bay



5

skid plate engine bay



6

skid plate engine bay

